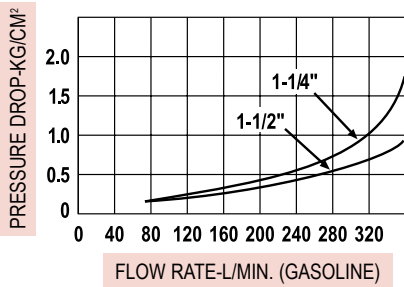
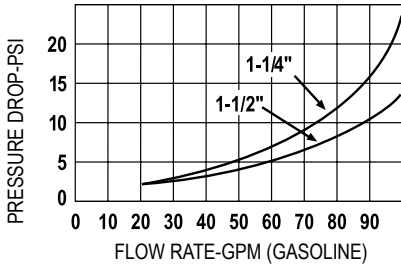


## OPW 295SC High-Flow Nozzles

**For High-Flow, Bulk Fuel Oil Delivery Service**



### Lever Guard Replacement Kit

Part #	Description
295KLG-0200	Short Grey for 295SC-0139
295KLG-0250	Long Grey for 295SC-0141

## Materials

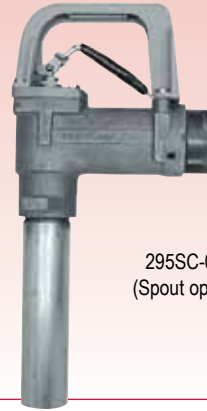
**Body:** Cast aluminum

**Main Stem:** Stainless steel

**Stem Seal:** Buna-N O-Ring

**Main Poppet Disc:** Viton®

**Spout:** OPW 297 aluminum (optional)



295SC-0141  
(Spout optional)

## Features

- ◆ **Aluminum Body** – lighter weight, easier to maneuver.
- ◆ **Dual Poppets** – easy-to-open nozzle against high inlet pressures.
- ◆ **Replacement Hold-Open Rack** – one-hand control of hold-open mechanism means easy setting of flow speed. Nozzle must be attended at all times during usage.
- ◆ **Replaceable Composite Lever Guard** – easy, low-cost replacement.
- ◆ **Right Angle Design** – provides larger lever area for better grip and easier control; permits nozzle to fit into awkward spaces close to walls and into corners.
- ◆ **Adjustable Dash Pot** – permits adjusting the main poppet closure rate over a wide range of flows to overcome line shock with minimum afterflow.
- ◆ **Built-In Swivel** – eliminates twisting and kinking of the hose. This swivel is hard-coated aluminum and has full-bearing surfaces.
- ◆ **Built-In Check Valve** – prevents hose drainage after pump is turned off.
- ◆ **Vinyl-Coated Lever** – insulates fingers against cold.
- ◆ **Easily Replaced Spout** – the spout is easily threaded into the body. Replacement spouts are readily available from OPW.
- ◆ **NPT Female Threads at Inlet End** – standard pipe threads accept all 1 1/4" or 1 1/2" male connections.

### Design working pressure

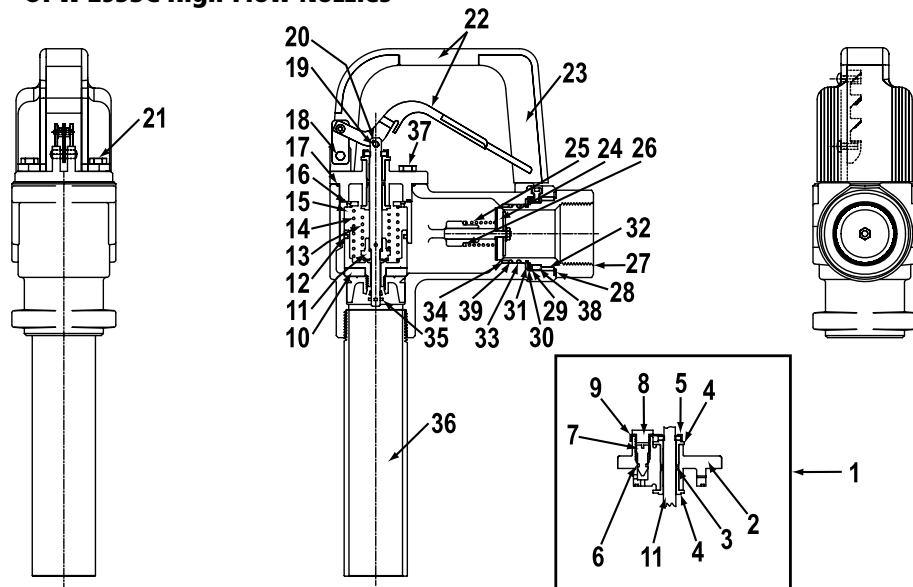
- ◆ 50 psi (3.45 bar) maximum pressure

## Ordering Specifications

Product #	Inlet Thread		lbs.	kg
	in.	mm		
295SC-0139	1 1/4"	32	3.75	1.7
295SC-0141	1 1/2"	38	4.33	2.0

295 Series Instruction Sheet Order Number: **H09237PA**

## Replacement Parts - OPW 295SC High-Flow Nozzles



Key	Part #	Description	1 1/4" 1 1/2" NPT	1 1/2" 1 1/2" NPT
1	H09212	Cap S/A	•	
1	H09213	Cap S/A		•
2	C02115A	Cap	•	
2	C02117A	Cap		•
3	H12707M	O-Ring	•	•
4	H05063M	Bushing (2 req'd)	•	•
5	H05087M	Felt Wiper	•	•
6	H12705M	O-Ring	•	•
7	H04825M	Adjusting Screw	•	•
8	H08441RS	Screw	•	•
9	H05135M	Retainer	•	•
10	H07719	Main Poppet S/A	•	•
11	H09417	Stem & Sec. Poppet	•	
11	H09420	Stem & Sec. Poppet		•
12	H12706M	O-Ring	•	•
13	H09367M	Spring	•	•
14	H05064M	Spring	•	•
15	H05088M	Skirt	•	•
16	H05198M	Seal	•	•
17	H04828M	Seal	•	•
18	H03981RE	Pin	•	•
19	H05000M	Cotter Pin	•	•
20	H07580M	Rivet	•	•
21	H06045M	Screw (2 req'd)	•	•
22	295KLG-0200	Guard Kit	•	
22	295KLG-0250	Guard Kit		•
23	C04698M	Hold-Open Rack	•	•
23	H14105M	Screw	•	•
24	H09214	Poppet S/A	•	

Key	Part #	Description	1 1/4" 1 1/2" NPT	1 1/2" 1 1/2" NPT
24	H09215	Poppet S/A		•
25	H07593M	Spring		•
25	H07595M	Spring	•	
26	H07613M	Washer	•	•
27	295SWK-0009	Swivel Repair Kit**	•	
27	295SWK-0014	Swivel Repair Kit**		•
28	H08886M	Dust Seal		•
28	H01227M	Dust Seal	•	
29	H08881M	Thrust Bearing	•	
29	H08889M	Thrust Bearing		•
30	H08882M	Lock Ring	•	
30	H08890M	Lock Ring		•
31	H09365M	Retaining Ring	•	
31	H09366M	Retaining Ring		•
32	H08879M	Bearing	•	
32	H08887M	Bearing		•
33	H12319M	O-Ring	•	
33	H12320M	O-Ring		•
34	H08884M	Bearing	•	
34	H08892M	Bearing		•
35	H02477M	Cotter Pin	•	•
36	297-9020	Spout	•	
36	297-9030	Spout		•
37	H07062M	Screw (4 req'd)	•	•
38	H09712RS	Retainer	•	
38	H09713RS	Retainer		•
39	H13776M	O-Ring, Viton®		•
39	H13775M	O-Ring, Viton®	•	

\* Replacement part for nozzles built after 08/1998. Parts are unavailable for nozzles built prior to this date.

\*\* Includes 295SRK-0001 or 295SRK-0002 and contact ring.